



M700
NUTS ROASTING MACHINE

COMPANY BİOGRAPHY



Our company "Gulmak Machine" offers products and services in accordance with the highest quality standards. We maintain a high level of satisfaction for our customers, employees and suppliers. In this direction, our main goal is to be a company that is sensitive to the needs of society and the environment, which prefers reliability and affordability for those who choose Gulmak Machine. Gulmak Machine manufactures and distributes coffee roasting machines, nut roasting machines, dragee chocolate coating machines and nut sugar caramelizing machines. We sell our machines all over the world, while constantly developing and following new trends in the production of equipment for coffee and nuts.

NUTS ROASTING MACHINE M700



GENERAL INFORMATION



Capacity	30-50 Kg / per hour
Working electrical voltages	3×380 Volt /50-60 Hz.
Max. Electric power	3×380 Volt /50-60 Hz. Max. 13 Kw-25 A
Roasting type	DRY AIR
Working System	Electricity
Roast memorization	Storing up to 25 parameters
Heat indicator	Touch control panel
Lighting	12 Volt – Led Lighting
Salt Sieve/ Salt pan	1 pc./ 1 pc.
Electrical equipment	Siemens
Roasting room lighting	2 pc. 300 Degree heat bulb
Cooling glass cover	4 pcs.
Material	100% Stainless steel AISI 304
Safety	Heater electric current sensor



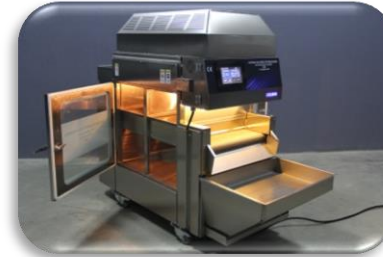
800 Dr. İnsulation



Double insulating glass



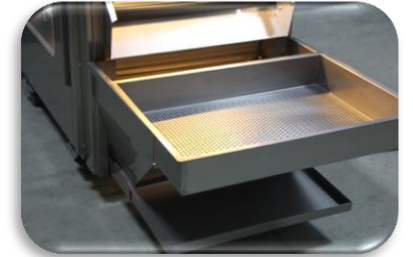
AISI 304 stainless band



Fast cooling



Easy cleaning



Ergonomic use



Touch control panel



AISI 304 Kalite Stainless steel



Fuel saving system

ROASTING CAPACITY

PRODUCT	CAPACITY/ PER HOUR
SUNFLOWER SEEDS	33 KG
SUNFLOWER (WHITE)	30 KG
PISTACHIO IN SHELL	36 KG
PISTACHIO	38 KG
ALMOND	40 KG
HAZELNUT	50 KG
PEANUT	45 KG
PUMPKIN SEEDS	35 KG
PEANUTS IN SHELL	25 KG
CASHEW	40 KG

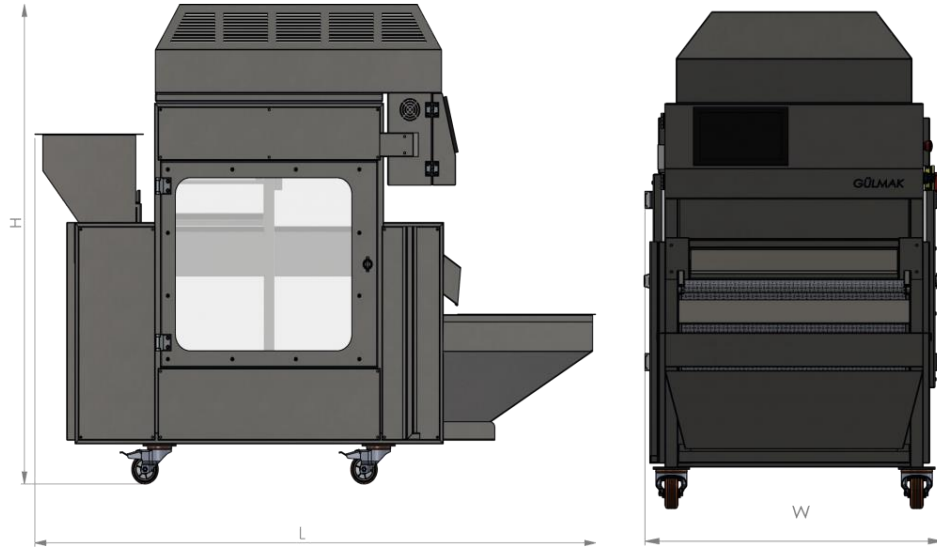


These Values are Given as Average.

DIMENSIONS



MACHINE DIMENSIONS



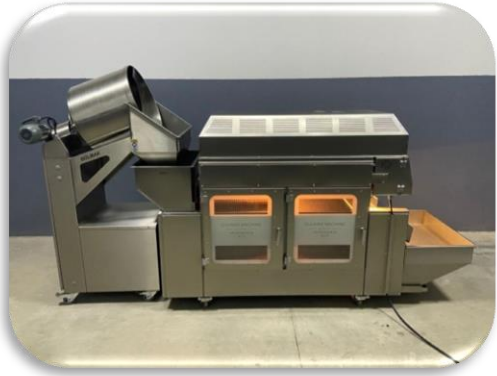
H	L	W	WEIGHT
1350 MM	2350 MM	900 MM	300 KG

SHIPPING DIMENSIONS



H	L	W	WEIGHT
1550 MM	2050 MM	950 MM	340 KG

ADDITIONAL EQUIPMENT



TM30
Nut salting machine



MX 100
Nuts salting liquid mixer

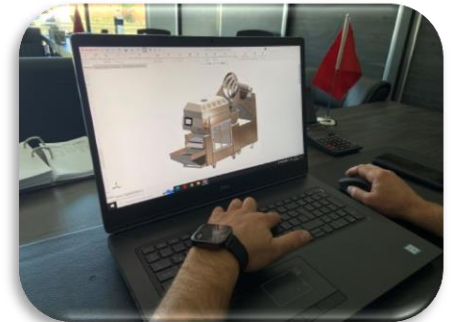
ONLINE SUPPORT



+90 532 368 2154

English – Russian – Turkish – Arabic client advisors

WARRANTY



Electrical warranty (Siemens): 12 month
Mechanical warranty: 24 month

EXPORT



SOME OF REFERENCE



Roundore



CONTACT INFORMATION



+90 532 368 2154



+90 236 816 3822



info@gulmak.com.tr

sales@gulmak.com.tr



Seyitali Mah. 219 Sk. No:29 Kula / MANİSA / TURKEY



[gulmak machines](#)



[gulmak machines](#)



[gulmak machines](#)



[gulmak machines](#)