



NOVA 12
COFFEE ROASTER

COMPANY BİOGRAPHY



Our company "Gulmak Machine" offers products and services in accordance with the highest quality standards. We maintain a high level of satisfaction for our customers, employees and suppliers. In this direction, our main goal is to be a company that is sensitive to the needs of society and the environment, which prefers reliability and affordability for those who choose Gulmak Machine.

Gulmak Machine manufactures and distributes coffee roasting machines, nut roasting machines, dragee chocolate coating machines and nut sugar caramelizing machines since 1990. We sell our machines all over the world, while constantly developing and following new trends in the production of equipment for coffee and nuts.

COFFEE ROASTER NOVA 12



GENERAL INFORMATION

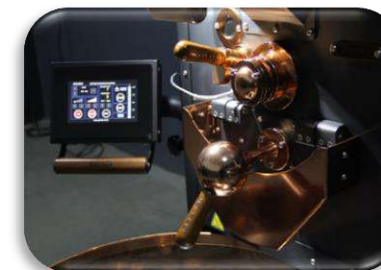


TECHNICAL DESCRIPTION

Drum Capacity	12 Kg
Drum Working Ratio	1/3
Batch Size	60 Kg / per hour
Roasting time	12-15 Min.
Roasting Type	Thermal
Electrical Power Working	3x220 / 3x380 Volt 50-60 Hz.
Max. Electricity Consumption Power	1.5 KW
Gas Consumption	1.70m3/ hour
Fuel Type	Natural Gas / LPG / Propane
Control	Touch Control Panel
Roasting Profile	15 Roasting Profile Storage page
Lighting	12 Volt – Led Lighting Lamp
Wall	Double Wall 800° Insulation
Number of Engines	4 pcs
Safety	Heat detector burner sensor ½ with extinguishing scheme



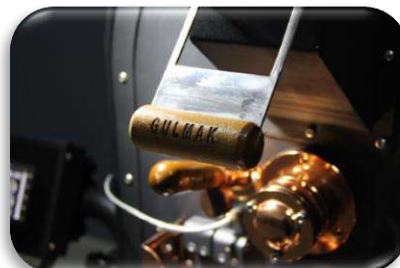
Animated Control Panel



Roasting Profile Support



Large Cooling Tray



Ergonomic Use



AISI 304 Quality Stainless Colling Unit



800° Insulation



Cooling Between 3-5 min.



Concealed Electrical Panel

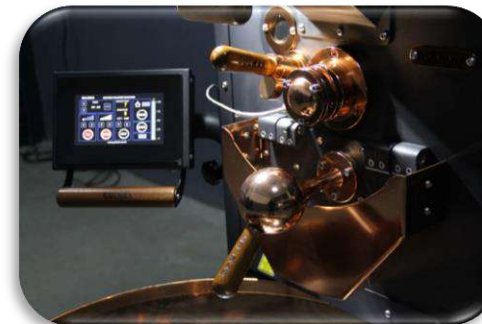


Single Point Use

PANEL FEATURES

FUNCTIONS

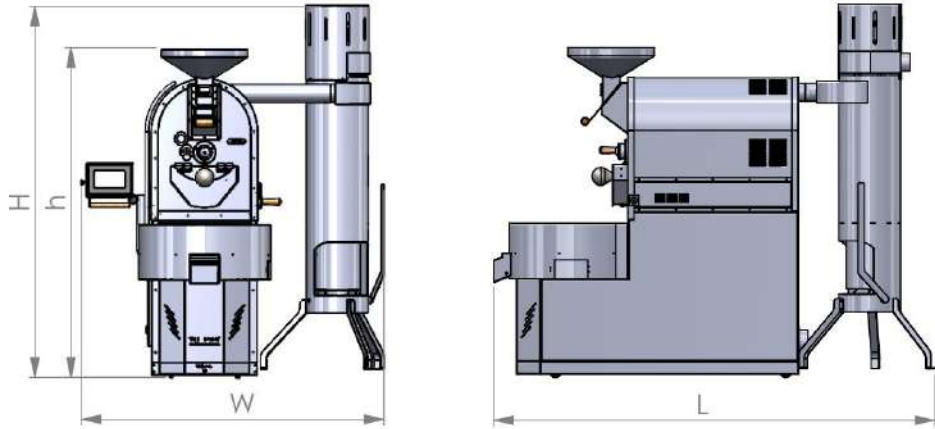
- FAN AND SPEED CONTROL
- DRUM CONTROL
- AUTOMATIC TEMPERATURE ADJUSTMENT
- BURNER AND FLAME CONTROL
- ADJUSTMENT COOLING UNIT MIXER CONTROL
- ROASTING PROFILE ROASTING GRAPH
- TIMER
- DRUM TEMPERATURE INDICATOR
- EXHAUST TEMPERATURE INDICATOR



DIMENSIONS



MACHINE DIMENSIONS



SHIPPING DIMENSIONS



H	h	L	W	WEIGHT
1800 MM	1680 MM	2550 MM	1100 MM	480 KG

PRODUCT	H	L	W	WEIGHT
ROASTING MACHINE	1700 MM	2000 MM	1000 MM	530 KG
SHELL SILO	2000 MM	500 MM	650 MM	---

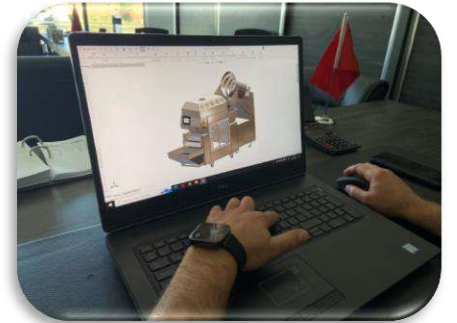
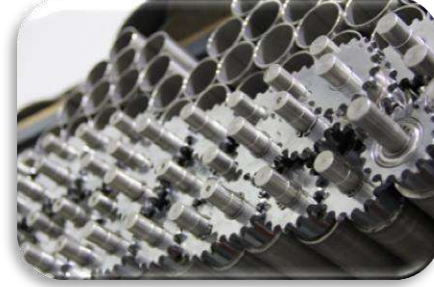
ONLINE DESTEK



+90 532 368 2154

İngilizce – Rusça – Türkçe – Arapça Müşteri Danışmanları

GARANTİ



Elektrik garantisi (Siemens): 12 ay
Mekanik garantisi: 24 ay

İHRACAT



BAZI REFERANSLARIMIZ



Roundore



Otto
NUTS



Milhans
Milhans Gıda ve Tarım Ürünleri San. ve Tic. A.Ş.



papagan

İLETİŞİM BİLGİLERİ



+90 532 368 2154



+90 236 816 3822



info@gulmak.com.tr

sales@gulmak.com.tr



Seyitali Mah. 219 Sk. No:29 Kula / MANİSA / TURKEY



[gulmak machines](https://www.facebook.com/gulmakmachines)



[gulmak machines](https://www.instagram.com/gulmakmachines)



[gulmak machines](https://www.youtube.com/gulmakmachines)



[gulmak machines](https://www.linkedin.com/company/gulmakmachines)