



NOVA 15
COFFEE ROASTER

COMPANY BIOGRAPHY



Our company "Gulmak Machine" offers products and services in accordance with the highest quality standards. We maintain a high level of satisfaction for our customers, employees and suppliers. In this direction, our main goal is to be a company that is sensitive to the needs of society and the environment, which prefers reliability and affordability for those who choose Gulmak Machine.

Gulmak Machine manufactures and distributes coffee roasting machines, nut roasting machines, dragee chocolate coating machines and nut sugar caramelizing machines since 1990. We sell our machines all over the world, while constantly developing and following new trends in the production of equipment for coffee and nuts.

COFFEE ROASTER NOVA 15



GENERAL INFORMATION



TECHNICAL DESCRIPTION	
Drum Capacity	15 Kg
Drum Working Ratio	3/1
Batch Size	75 Kg / per hour
Roasting time	12-15 Min.
Roasting Type	Thermal
Electrical Power Working	1x220 / 3x220 / 3x380 Volt 50-60 Hz.
Max. Electricity Consumption Power	1.5 KW
Gas Consumption	2.00 m3/hour
Fuel Type	Natural Gas / LPG / Propane
Control	Touch Control Panel
Roasting Profile	15 Roasting Profile Storage page
Lighting	12 Volt – Led Lighting Lamp
Wall	Double Wall 800° insulation
Number of Engines	4 pcs
Safety	Heat detector burner sensor ½ with extinguishing scheme



Animated Control Panel



Roasting Profile Support



Large Cooling Tray



Ergonomic Use



AISI 304 Quality Stainless Colling Unit



800° Insulation



Cooling Between 3-5 min.



Concealed Electrical Panel



Single Point Use

PANEL FEATURES

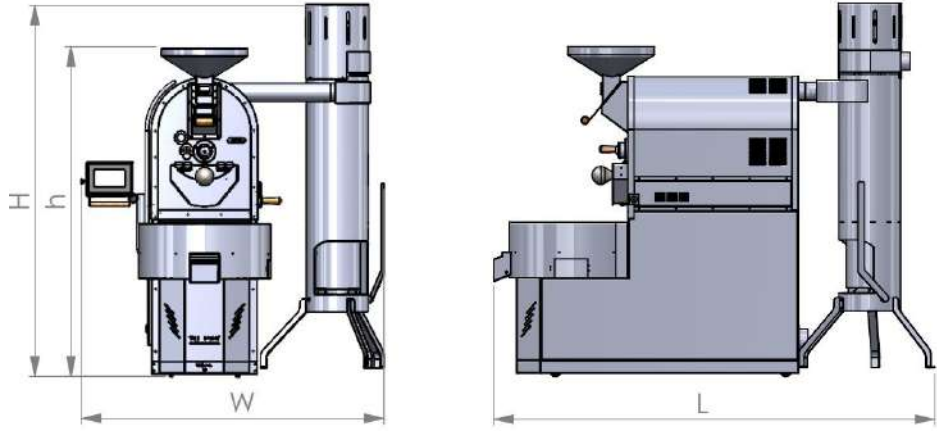
FUNCTIONS

- FAN AND SPEED CONTROL
- DRUM CONTROL
- AUTOMATIC TEMPERATURE ADJUSTMENT
- BURNER AND FLAME CONTROL
- ADJUSTMENT COOLING UNIT MIXER CONTROL
- ROASTING PROFILE ROASTING GRAPH
- TIMER
- DRUM TEMPERATURE INDICATOR
- EXHAUST TEMPERATURE INDICATOR



DIMENSIONS

MACHINE DIMENSIONS



SHIPPING DIMENSIONS



H	h	L	W	WEIGHT
1800 MM	1680 MM	2550 MM	1100 MM	480 KG

PRODUCT	H	L	W	WEIGHT
ROASTING MACHINE	1700 MM	2000 MM	1000 MM	440 KG
SHELL SILO	2000 MM	500 MM	650 MM	---

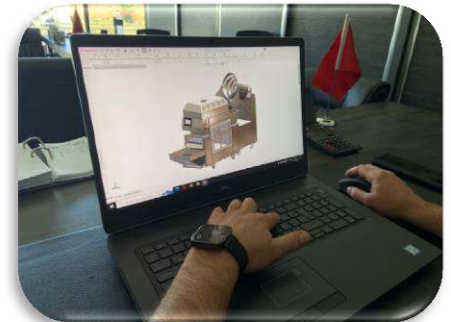
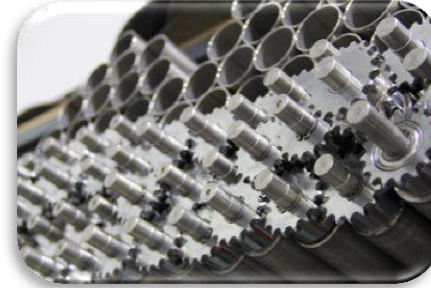
ONLINE SUPPORT



+90 532 368 2154

English – Russian – Turkish – Arabic client advisors

WARRANTY



Electrical warranty (Siemens): 12 month
Mechanical warranty: 24 month

EXPORT



SOME OF REFERENCE



Roundore



CONTACT INFORMATION



+90 532 368 2154



+90 236 816 3822



info@gulmak.com.tr

sales@gulmak.com.tr



Seyitali Mah. 219 Sk. No:29 Kula / MANİSA / TURKEY



[gulmak machines](#)



[gulmak machines](#)



[gulmak machines](#)



[gulmak machines](#)