



**NOVA 6**  
**COFFEE ROASTER**

# COMPANY BIOGRAPHY



Our company "Gulmak Machine" offers products and services in accordance with the highest quality standards. We maintain a high level of satisfaction for our customers, employees and suppliers. In this direction, our main goal is to be a company that is sensitive to the needs of society and the environment, which prefers reliability and affordability for those who choose Gulmak Machine.

Gulmak Machine manufactures and distributes coffee roasting machines, nut roasting machines, dragee chocolate coating machines and nut sugar caramelizing machines since 1990. We sell our machines all over the world, while constantly developing and following new trends in the production of equipment for coffee and nuts.

# COFFEE ROASTER NOVA 6



# GENERAL INFORMATION



<b>Drum Capacity</b>	<b>6 Kg</b>
Drum Working Ratio	1/3
Batch Size	24-30 Kg / per hour
Roasting time	12-15 Min.
Roasting Type	Thermal
Electrical Power Working	3x220 / 3x380 Volt 50-60 Hz.
Max. Electricity Consumption Power	1.1 KW
Gas Consumption	0.90 m3/ hour
Fuel Type	Natural Gas / LPG / Propane
Control	Touch Control Panel
Roasting Profile	15 Roasting Profile Storage page
Lighting	12 Volt – Led Lighting Lamp
Wall	Double Wall 800° Insulation
Number of Engines	4 pcs
Safety	Heat detector burner sensor ½ with extinguishing scheme



**Animated Control Panel**



**Roasting Profile Support**



**Large Cooling Tray**



**Ergonomic Use**



**AISI 304 Quality Stainless Colling Unit**



**800° Insulation**



**Cooling Between 3-5 min.**



**Concealed Electrical Panel**



**Single Point Use**

# PANEL FEATURES

## FUNCTIONS

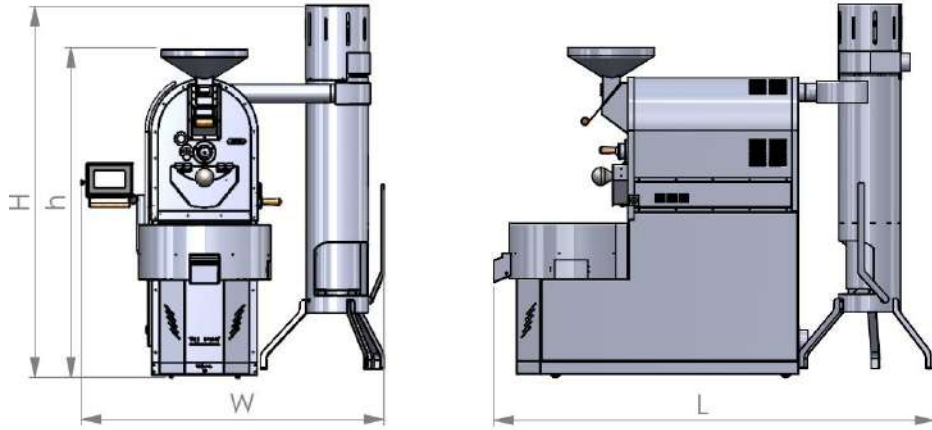
- FAN AND SPEED CONTROL
- DRUM CONTROL
- AUTOMATIC TEMPERATURE ADJUSTMENT
- BURNER AND FLAME CONTROL
- ADJUSTMENT COOLING UNIT MIXER CONTROL
- ROASTING PROFILE ROASTING GRAPH
- TIMER
- DRUM TEMPERATURE INDICATOR
- EXHAUST TEMPERATURE INDICATOR



# DİMENSİYONLAR



## MACHINE DIMENSIONS



## SHIPPING DIMENSIONS



H	h	L	W	WEIGHT	PRODUCT	H	L	W	WEIGHT
1870 MM	1700 MM	2240 MM	1550 MM	380 KG	ROASTING MACHINE	1750 MM	2000 MM	900 MM	440 KG
					SHELL SİLO	1650 MM	650 MM	500 MM	120 KG

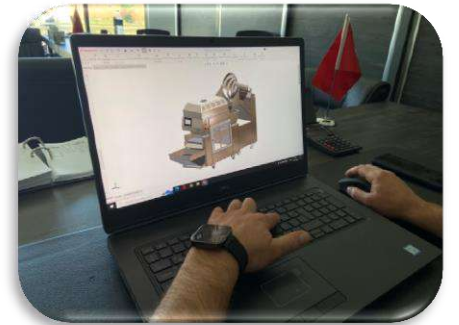
# ONLINE SUPPORT



+90 532 368 2154

**English – Russian – Turkish – Arabic client advisors**

# WARRANTY



**Electrical warranty (Siemens): 12 month**  
**Mechanical warranty: 24 month**

# EXPORT



# SOME OF REFERENCE



Roundore





# CONTACT INFORMATION



+90 532 368 2154



+90 236 816 3822



[info@gulmak.com.tr](mailto:info@gulmak.com.tr)

[sales@gulmak.com.tr](mailto:sales@gulmak.com.tr)



**Seyitali Mah. 219 Sk. No:29 Kula / MANİSA / TURKEY**



[gulmak machines](#)



[gulmak machines](#)



[gulmak machines](#)



[gulmak machines](#)