



TM 15
NUT SALTİNG MACHINE

COMPANY BİOGRAPHY



Our company "Gulmak Machine" offers products and services in accordance with the highest quality standards. We maintain a high level of satisfaction for our customers, employees and suppliers. In this direction, our main goal is to be a company that is sensitive to the needs of society and the environment, which prefers reliability and affordability for those who choose Gulmak Machine. Gulmak Machine manufactures and distributes coffee roasting machines, nut roasting machines, dragee chocolate coating machines and nut sugar caramelizing machines. We sell our machines all over the world, while constantly developing and following new trends in the production of equipment for coffee and nuts.

NUTS SALTING MACHINE TM15



GENERAL INFORMATION

Capacity	8-15 Kg
Salting time	10-15 min.
Drum volume	85 lt.
Working Electric power	220 Volt / 50-60 Hz.
Max. Electric power (startup)	0.25 KW
Control	Manual
Mixing palette	2 pcs
Drum speed	Regulated



MAXIMUM CAPACITY

PRODUCT	CAPACITY
SUNFLOWER SEEDS	10 KG
SUNFLOWER (WHITE)	10 KG
PISTACHIO IN SHELL	12 KG
PISTACHIO	12 KG
ALMOND	15 KG
HAZELNUT	15 KG
PEANUT	14 KG
PUMPKIN SEEDS	8 KG
PEANUTS IN SHELL	8 KG
CASEW	14 KG

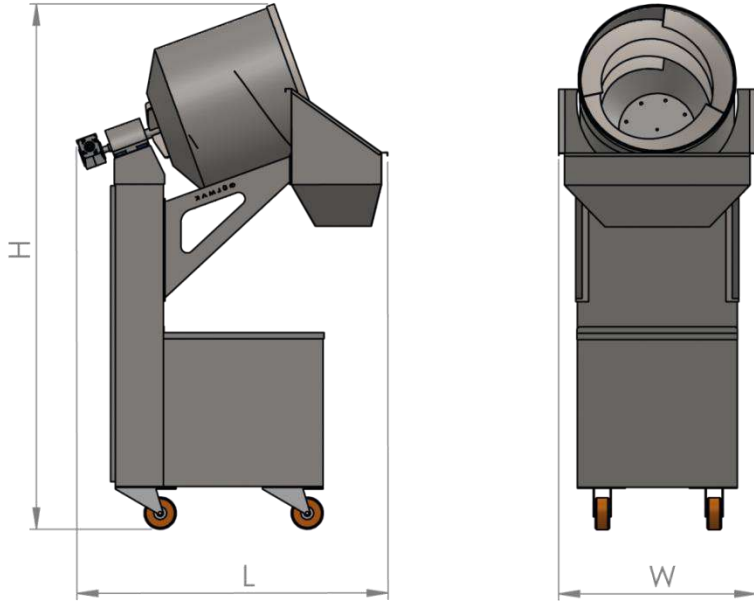


* VALUES ARE PRESENT AS AVERAGES

DIMENSIONS



MACHINE DIMENSIONS



Height H	Length L	Width W	Weight
1600 MM	1150 MM	620 MM	80 KG

DIMENSIONS IN THE BOX



Height H	Length L	Width W	Weight
1900 MM	1250 MM	800 MM	146 KG

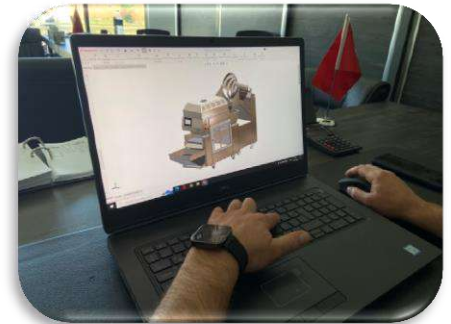
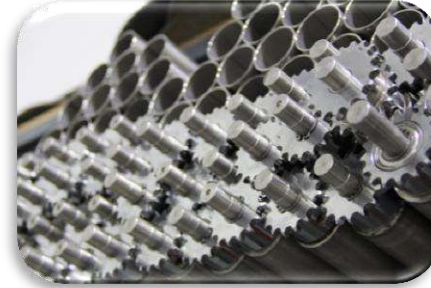
ONLINE SUPPORT



+90 532 368 2154

English – Russian – Turkish – Arabic client advisors

WARRANTY



Electrical warranty (Siemens): 12 month
Mechanical warranty: 24 month

EXPORT



SOME OF REFERENCE



Roundore



CONTACT INFORMATION



+90 532 368 2154



+90 236 816 3822



info@gulmak.com.tr

sales@gulmak.com.tr



Seyitali Mah. 219 Sk. No:29 Kula / MANİSA / TURKEY



[gulmak machines](#)



[gulmak machines](#)



[gulmak machines](#)



[gulmak machines](#)