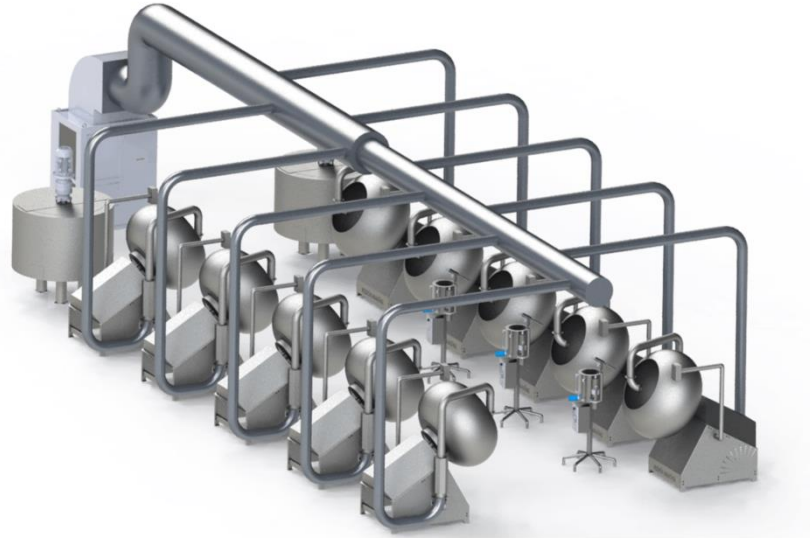




**DRAGEE CHOCOLATE COATING  
MACHINE  
DSK01-S120**

# COMPANY BİOGRAPHY



Our company "Gulmak Machine" offers products and services in accordance with the highest quality standards. We maintain a high level of satisfaction for our customers, employees and suppliers. In this direction, our main goal is to be a company that is sensitive to the needs of society and the environment, which prefers reliability and affordability for those who choose Gulmak Machine. Gulmak Machine manufactures and distributes coffee roasting machines, nut roasting machines, dragee chocolate coating machines and nut sugar caramelizing machines. We sell our machines all over the world, while constantly developing and following new trends in the production of equipment for coffee and nuts.

# DRAGEE CHOCOLATE COATING MACHINE DSK01-S120



# GENERAL INFORMATION



|                             |                                   |
|-----------------------------|-----------------------------------|
| <b>Capacity</b>             | <b>100-120 Kg/ per hour</b>       |
| Drum diameter               | 1200 mm                           |
| Coating time                | 60-90 min.                        |
| Memorization options        | 25 Product parameter storage page |
| Heat                        | Can use between 5-30°             |
| Humidity                    | 10% - 15%                         |
| Indoor air unit power       | 3750 BTU                          |
| Fuel type                   | Electricity                       |
| Working electrical voltages | 220Volt / 50-60 Hz.               |
| Motor power                 | 3.5 Kw                            |



**Touch control panel**



**3750 BTU Cooling power**



**AISI 304 quality stainless steel**



**Smooth coating drum**



**Spray system**



**Easy cleaning**

# CONTROL PANEL FEATURES

## FUNCTION

CHOCOLATE SPRAY FEEDING AND CONTROL

DRUM SPEED AND CONTROL

FAN SPEED

COOLING UNIT CONTROL

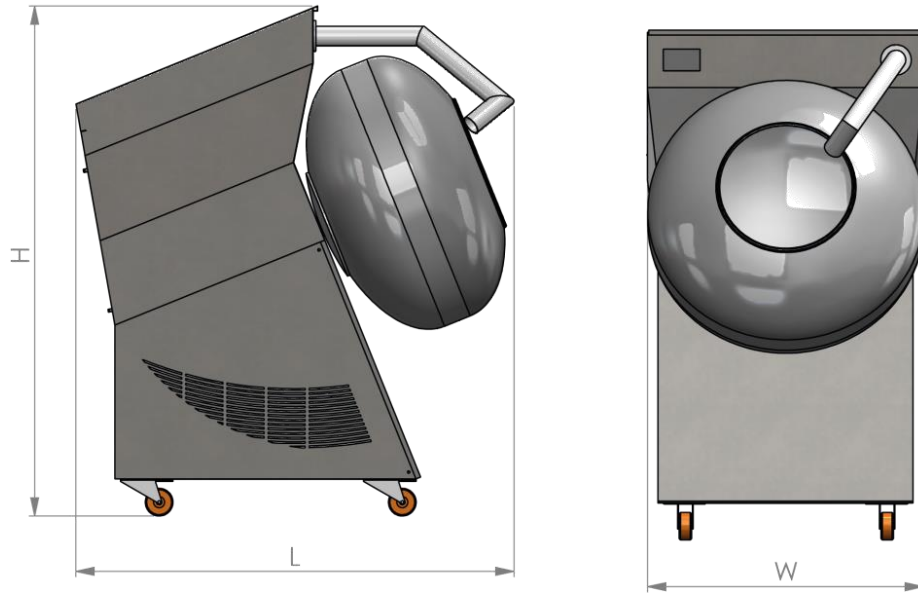
TEMPERATURE SETTING

SAVE OPTIONS



# DIMENSIONS

## MACHINE DIMENSIONS



| H       | L       | W       | WEIGHT |
|---------|---------|---------|--------|
| 1800 MM | 1750 MM | 1200 MM | 420 KG |

## SHIPPING DIMENSIONS



| H       | L       | W       | WEIGHT |
|---------|---------|---------|--------|
| 2000 MM | 1850 MM | 1300 MM | 500 KG |

# ADDITIONAL EQUIPMENT



**Chocolate spray**



**Chocolate melting tank**

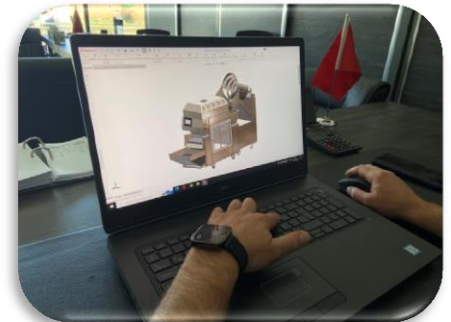
# ONLINE SUPPORT



+90 532 368 2154

English – Russian – Turkish – Arabic client advisors

# WARRANTY



Electrical warranty (Siemens): 12 month  
Mechanical warranty: 24 month



# EXPORT



# SOME OF REFERENCE



Roundbore



Otto  
NUTS



Milhans  
Milhans Gıda ve Tarım Ürünleri San. ve Tic. A.Ş.



papagan



# CONTACT INFORMATION



**+90 532 368 2154**



**+90 236 816 3822**



**info@gulmak.com.tr**

**sales@gulmak.com.tr**



**Seyitali Mah. 219 Sk. No:29 Kula / MANİSA / TURKEY**



gulmak machines



gulmak machines



gulmak machines



gulmak machines