



NOVA 1

COFFEE ROASTER

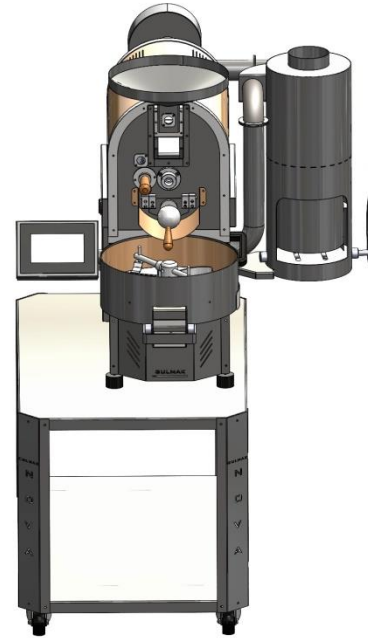
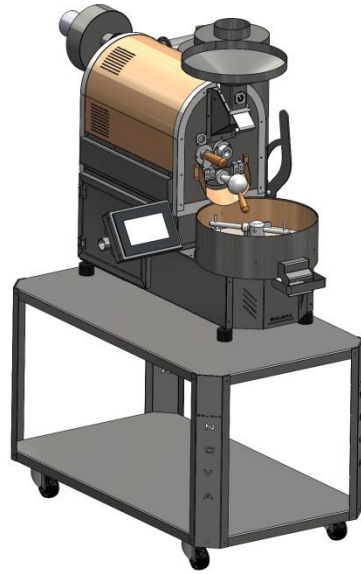
COMPANY BİOGRAPHY



Our company "Gulmak Machine" offers products and services in accordance with the highest quality standards. We maintain a high level of satisfaction for our customers, employees and suppliers. In this direction, our main goal is to be a company that is sensitive to the needs of society and the environment, which prefers reliability and affordability for those who choose Gulmak Machine. Gulmak Machine manufactures and distributes coffee roasting machines, nut roasting machines, dragee chocolate coating machines and nut sugar caramelizing machines since 1990. We sell our machines all over the world, while constantly developing and following new trends in the production of equipment for coffee and nuts.

COFFEE ROASTERS

NOVA 1



GENERAL INFORMATION



TECHNICAL DESCRIPTION

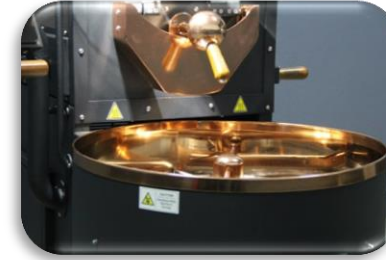
Drum capacity	1 Kg
Drum working ratio	3/1
Batch size	5 Kg / per hour
Roasting time	12-15 min.
Roasting type	Thermal
Electrical power working	1x220 / 3x220 / 3x380 Volt 50-60 Hz.
Max. Electricity consumption power in Gas fuel type (gas + electricity)	0.75 KW
gas consumption (gas + electricity)	0.18 m3/ hour
Max. Electricity consumption power on electric only	5 KW
Fuel type	Electricity/ Natural gas / LPG / Propane
Control	Touch control panel
Roasting profile	15 roasting profile storage page
Lighting	12 Volt – Led lighting lamp
Insulation	Double wall 800°
Number of engines	4 pcs.
Safety	Heat detector burner sensor ½ with extinguishing scheme



Animated control panel



Roasting profile support



Large cooling tray



Ergonomic use



AISI 304 Quality stainless cooling unit



800° Insulation



Cooling between 3-5 min.



Concealed electrical panel



Single point use

PANEL FEATURES

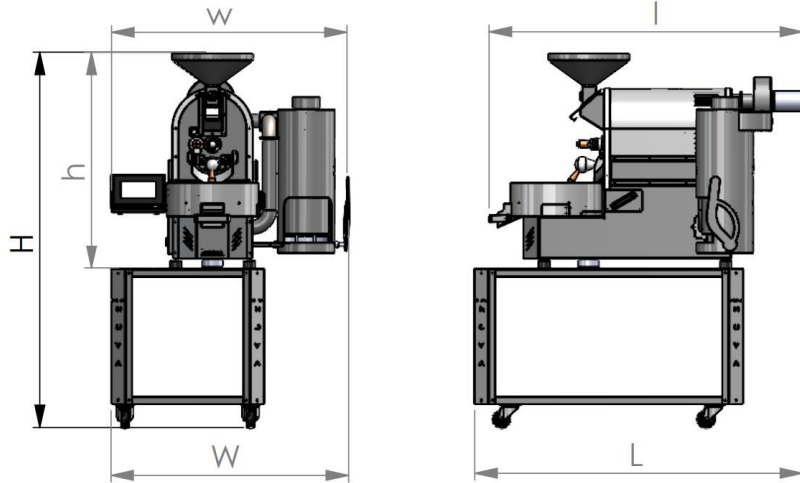
FUNCTIONS

- FAN AND SPEED CONTROL
- DRUM CONTROL
- AUTOMATIC TEMPERATURE ADJUSTMENT
- BURNER AND FLAME CONTROL
- ADJUSTMENT COOLING UNIT MIXER CONTROL
- ROASTING PROFILE ROASTING GRAPH
- TIMER
- DRUM TEMPERATURE INDICATOR
- EXHAUST TEMPERATURE INDICATOR



DİMENSİONS

MACHINE DIMENSIONS



PACKAGE DIMENSIONS



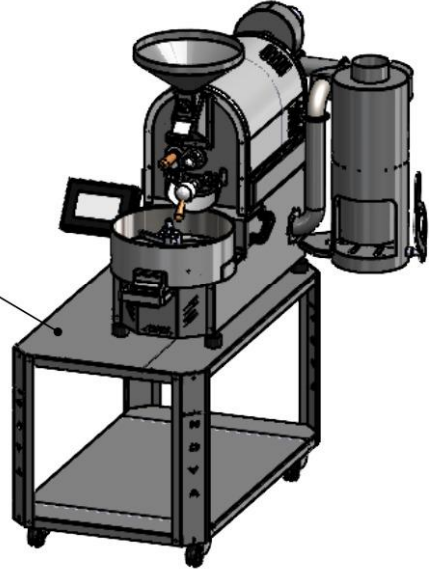
h	w	l	WEİGH
960 MM	1040 MM	1390 MM	130 KG

H	W	L	WEİGH
1650 MM	1050 MM	1450 MM	145 KG

PRODUCT	H	W	L	WEİGH
COFFEE ROASTER	1100 MM	1100 MM	1500 MM	150 KG
WITH TABLE	1650 MM	650 MM	500 MM	170 KG

ADDITIONAL EQUIPMENT

Opsiyonel



COFFEE GRINDERS



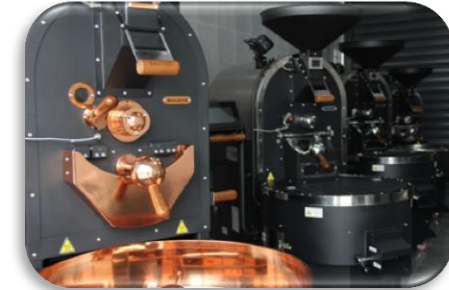
ONLINE SUPPORT



+90 532 368 2154

English – Russian – Turkish - Arabic client advisors.

RİCH SPARE PARTS WARRANTY



ELECTRİK WARRANTY: 12 MONTH.
MECHANICAL WARRANTY: 24 MONTH

EXPORT

REFERENCE - LIST



CONTACT INFORMATION



+90 532 368 2154



+90 236 816 3822



info@gulmak.com.tr

sales@gulmak.com.tr



Seyitali Mah. 219 Sk. No:29 Kula / MANİSA / TURKEY



[gulmak machines](#)



[gulmak machines](#)



[gulmak machines](#)



[gulmak machines](#)